



SPECIFICATIONS AS422e

DESCRIPTION

A dedicated low frequency system in a trapezoidal enclosure. Includes 2x 12-in woofers mounted on slanted baffles, separated vertically.

APPLICATION

The AS422e is engineered for use in permanent installations. It complements the AS460e or AS490e mid/high modules to provide full range performance in a flexible, modular, multi-enclosure format. It's trapezoid angles create the ideal splay for arrays of 2x AS460e's. Includes comprehensive 3/8"-16 mounting/suspension points. Six year warranty.

Applications include:

Stadiums	Arenas
Performing Arts Centers	Houses of Worship

PERFORMANCE

Frequency Response (Hz)	±3 dB 67 Hz to 500 Hz	
	-10 dB 50 Hz	
Axial Sensitivity (dB SPL, 1 Watt @ 1m)	LF 102	
Impedance (Ohms)	LF 4	
Power Handling (Watts, Continuous)	LF 800	
Recommended High-Pass Frequency	24 dB/Octave 40 Hz	
Calculated Maximum Output (dB SPL @ 1m)	LF Peak 137	
	LF Long Term 131	



PHYSICAL

Product Group	I	
System Configuration	Dedicated low frequency system	
LF Subsystem & Loading	2x 12-in, vented	
Cabinet Type (shape)	Trapezoidal	
Enclosure Materials	Exterior grade Baltic birch plywood	
Finish	Wear-resistant textured black paint	
Connectors	2-Contact terminal strip	
Suspension Hardware	(18) 3/8"-16 threaded mounting/suspension points (4 each on top, bottom and sides, 2 on back)	
Grille	Powder coated perforated steel	
Dimensions	inches	millimeters
Height	22.5	572
Width (Front)	24.6	626
Width (Rear)	16.5	419
Depth	23.0	584
Trapezoid Angle	10 degrees per side	
Weights	pounds	kilograms
Net Weight	90	41.0
Shipping Weight	105	47.8

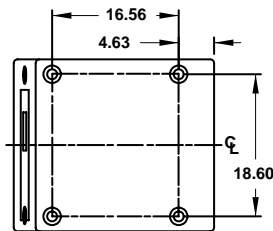
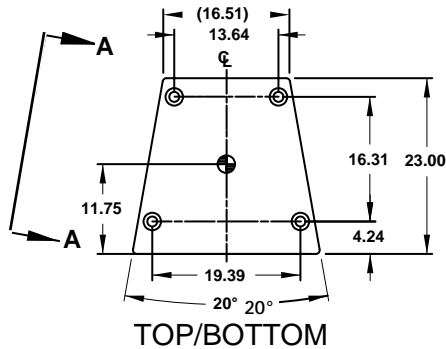
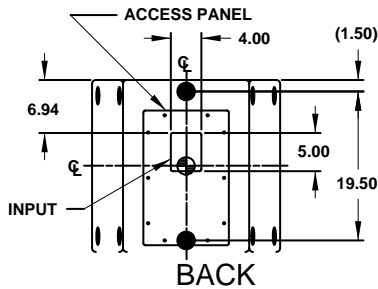
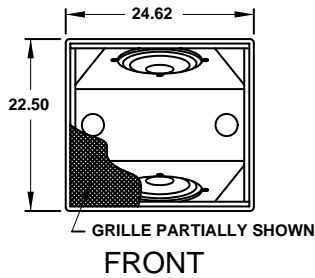




SPECIFICATIONS AS422e

DIMENSIONAL DRAWING

- ⊙ INDICATES MOUNTING POINT, 3/8-16 THREADED HOLE (PI ANGLE)
- INDICATES MOUNTING POINT, 3/8-16 THREADED HOLE (NUT PLATE).
- ⊕ INDICATES CENTER OF BALANCE.



DIMENSION APPLY TO BOTH SIDES

SIDES

A & E SPECIFICATIONS

The low frequency loudspeaker system shall incorporate 2x 12-in LF transducers that shall be mounted in slanted baffles and separated vertically.

System frequency response shall vary no more than ± 3 dB from 67 to 500 Hz measured on axis. The system shall produce a Sound Pressure Level (SPL) of 102 dB SPL on axis at 1 meter with a power input of 1 Watt, and shall be capable of producing a peak output of 137 dB SPL on axis at 1 meter. The system shall handle 800 Watts of amplifier power (continuous) and shall have a nominal impedance of 4 Ohms.

The loudspeaker enclosure shall be trapezoidal in shape. It shall be constructed of multi-ply, void-free cross-grain-laminated, exterior grade, Baltic birch plywood and shall employ extensive internal bracing. It shall be finished in wear-resistant textured black paint. Input connectors shall be 2-contact terminal barrier strips. Eighteen (18) 3/8"-16 threaded mounting/suspension points (4 each top, bottom and sides, 2 on back) shall be provided. The front of the loudspeaker shall be covered with a powder coated perforated steel grille.

The low frequency loudspeaker shall be the EAW model AS422e.

509139 (0)
5/22/01

Manufacturing tolerances are +/- 0.13 and +/- 1°

